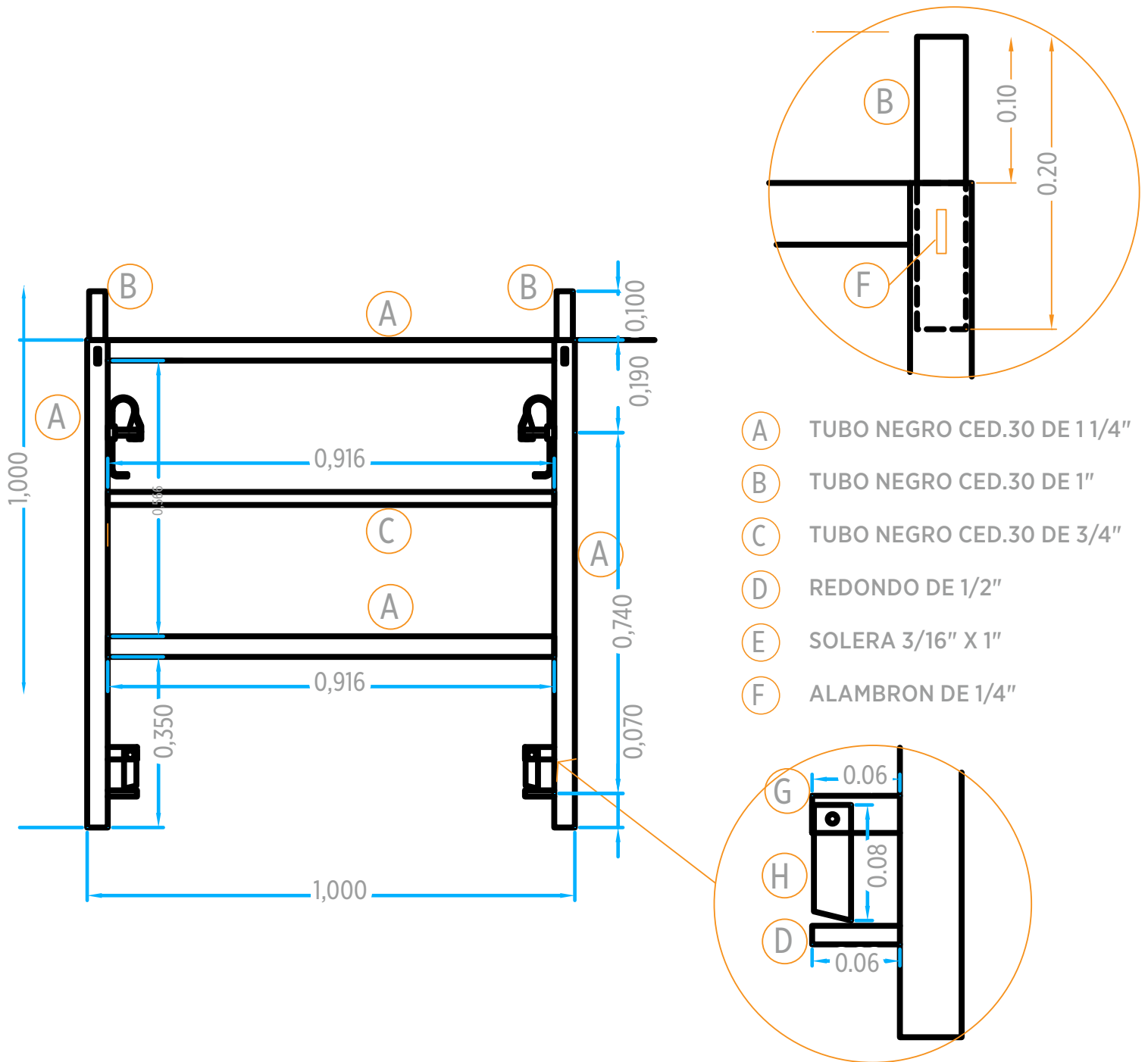


Marco estándar de 1.00 x 1.00 (Para barandal)



- (A) TUBO NEGRO CED.30 DE 1 1/4"
- (B) TUBO NEGRO CED.30 DE 1"
- (C) TUBO NEGRO CED.30 DE 3/4"
- (D) REDONDO DE 1/2"
- (E) SOLERA 3/16" X 1"
- (F) ALAMBRON DE 1/4"

| | | DIAM. NOMINAL | | DIAM EXTERIOR | | PESO TEORICO | | POR MARCO |
|-----------------------------|-------------------|---------------|----------|---------------|-------|--------------|------|---------------|
| | | PULG | MM | PULG | MM | KG/M | MTS | KG |
| (A) | TUBO NEGRO CED.30 | 1 1/4" | 32 | 1.660" | 42.20 | 2.25 | 3.84 | 8.64 |
| (B) | TUBO NEGRO CED.30 | 1" | 25 | 1.315" | 33.40 | 1.48 | 0.40 | 0.592 |
| (C) | TUBO NEGRO CED.30 | 3/4" | 19 | 1.050" | 26.70 | 1.16 | 0.92 | 1.067 |
| (D) | REDONDO | 1/2" | 12.70 | | | 0.99 | 0.30 | 0.29 |
| (E) | SOLERA | 3/16" X 1" | 4.8X25.4 | | | 0.950 | 1.20 | 1.14 |
| (F) | ALAMBRON | 1/4" | 6.35 | | | 0.248 | 0.22 | 0.054 |
| PESO TOTAL POR MARCO | | | | | | | | 11.783 |